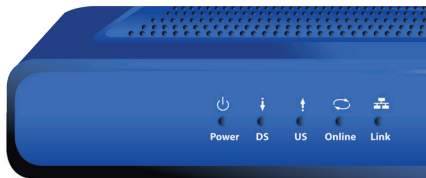




comwave[®]



Home Phone



Internet

Installation Guide DCM 476

Package Contents

Internet Modem



COMWAVE DCM 476
INTERNET MODEM



ETHERNET CABLE



POWER ADAPTOR
OUTPUT: 12V

Optional Home Phone



COMWAVE HOME
PHONE ADAPTER

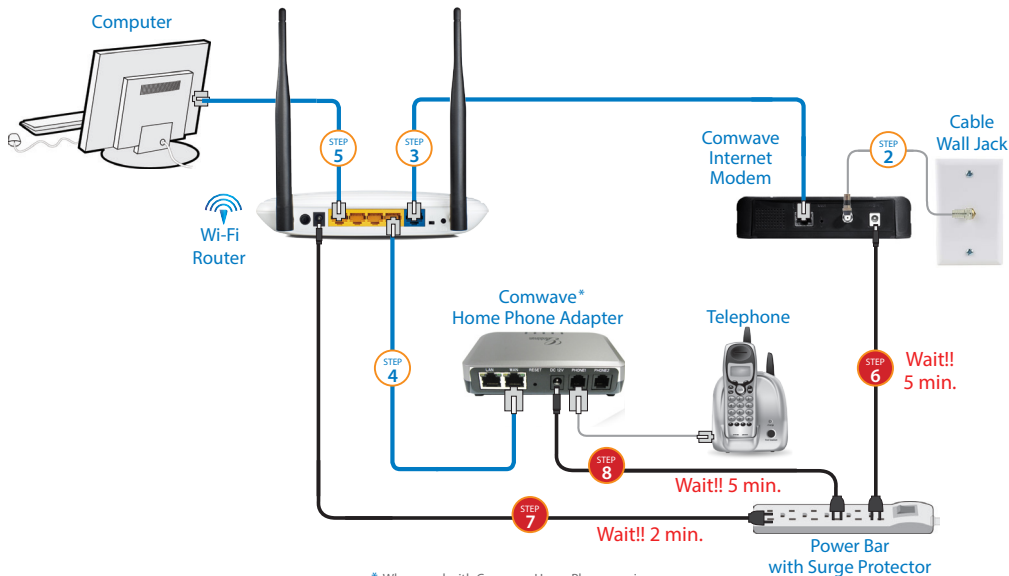


ETHERNET CABLE



POWER ADAPTOR
OUTPUT: 12V

Installation with Router



* When used with Comwave Home Phone service

Continue to **step 1**

- step 1** Shut down your computer.
- step 2** Connect the Comwave Internet Modem using a standard cable wire (not supplied) to the Cable Wall Jack.
- step 3** Connect the supplied Ethernet cable from your Internet Modem to the WAN port on your Router.
- step 4** **(For Home Phone)** Connect the supplied Ethernet cable from the LAN port of your Router to the WAN port of the Home Phone Adapter.
- step 5** Connect an Ethernet cable from your computer to any available LAN port on your Router.
- step 6** Connect the Internet Modem to the power bar and wait until the **ONLINE** light turns on and wait 5 minutes.
- step 7** Connect the Router to the power bar and wait 2 minutes.
- step 8** **(For Home Phone)** Connect a telephone to the **PHONE 1** port on the Home Phone Adapter. Then connect power and wait 5 minutes for dial tone. **DO NOT DISCONNECT POWER** as it may damage the Home Phone Adapter.
- step 9** Start your computer.



For further assistance, please call
416-663-9600

DCM476