



Home Phone



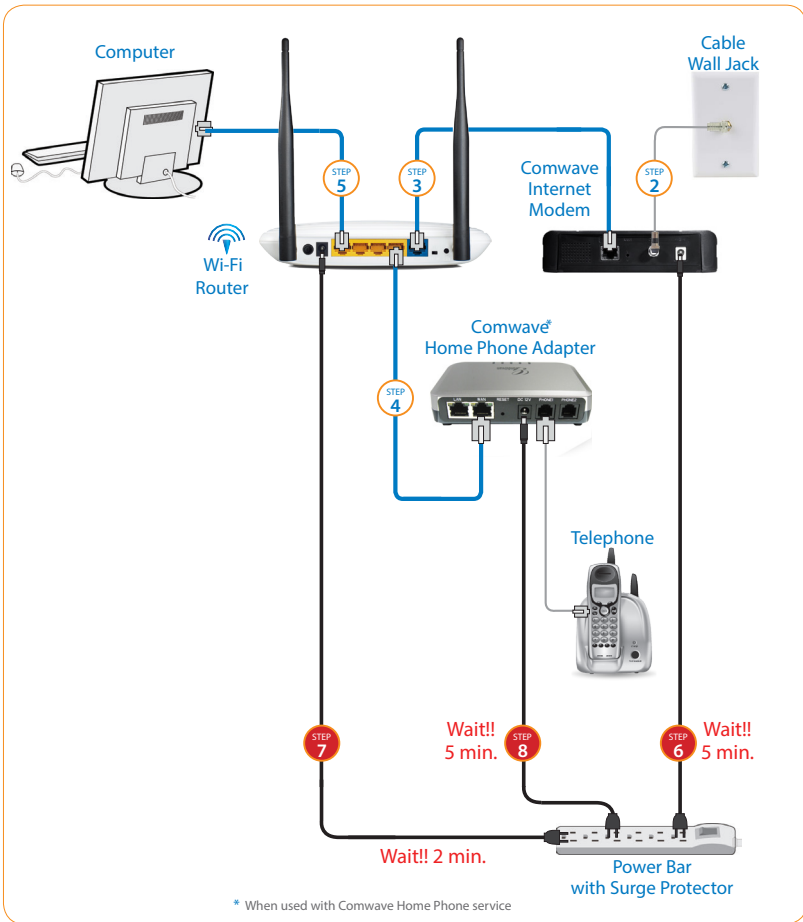
Cable Internet

Please print the full installation instructions that include other configurations.



[www.comwave.net/manuals](http://www.comwave.net/manuals)

# Most Common Set Up



- step 1** Shut down your computer.
- step 2** Connect the Comwave Internet Modem using a standard cable wire (not supplied) to the Cable Wall Jack.
- step 3** Connect the supplied Ethernet cable from your Internet Modem to the WAN port on your Router.
- step 4** ( For Home Phone) Connect the supplied Ethernet cable from the LAN port of your Router to the WAN port of the Home Phone Adapter.
- step 5** Connect an Ethernet cable from your computer to any available LAN port on your Router.
- step 6** Connect the Comwave Internet Modem to the power bar and wait until the **ONLINE** light turns on and wait 5 minutes.
- step 7** Connect the Router to the power bar and wait 2 minutes.
- step 8** ( For Home Phone) Connect a telephone to the **PHONE 1** port on the Home Phone Adapter. Then connect power and wait 5 minutes for dial tone. **DO NOT DISCONNECT POWER** as it may damage the Home Phone Adapter.
- step 9** Start your computer.