



Home Phone



Internet

# Installation Guide

# Package Contents

## Internet Modem



COMWAVE DCM 476  
INTERNET MODEM



ETHERNET CABLE



POWER ADAPTOR  
OUTPUT: 12V

## Optional Home Phone



COMWAVE HOME  
PHONE ADAPTER



ETHERNET CABLE



POWER ADAPTOR  
OUTPUT: 12V

## Optional WiFi Router



INTERNET ROUTER



ETHERNET CABLE



POWER ADAPTOR  
OUTPUT: 12V

# Recommended Installations



Installation with Router

PAGE

3



Installation without Router

PAGE

4

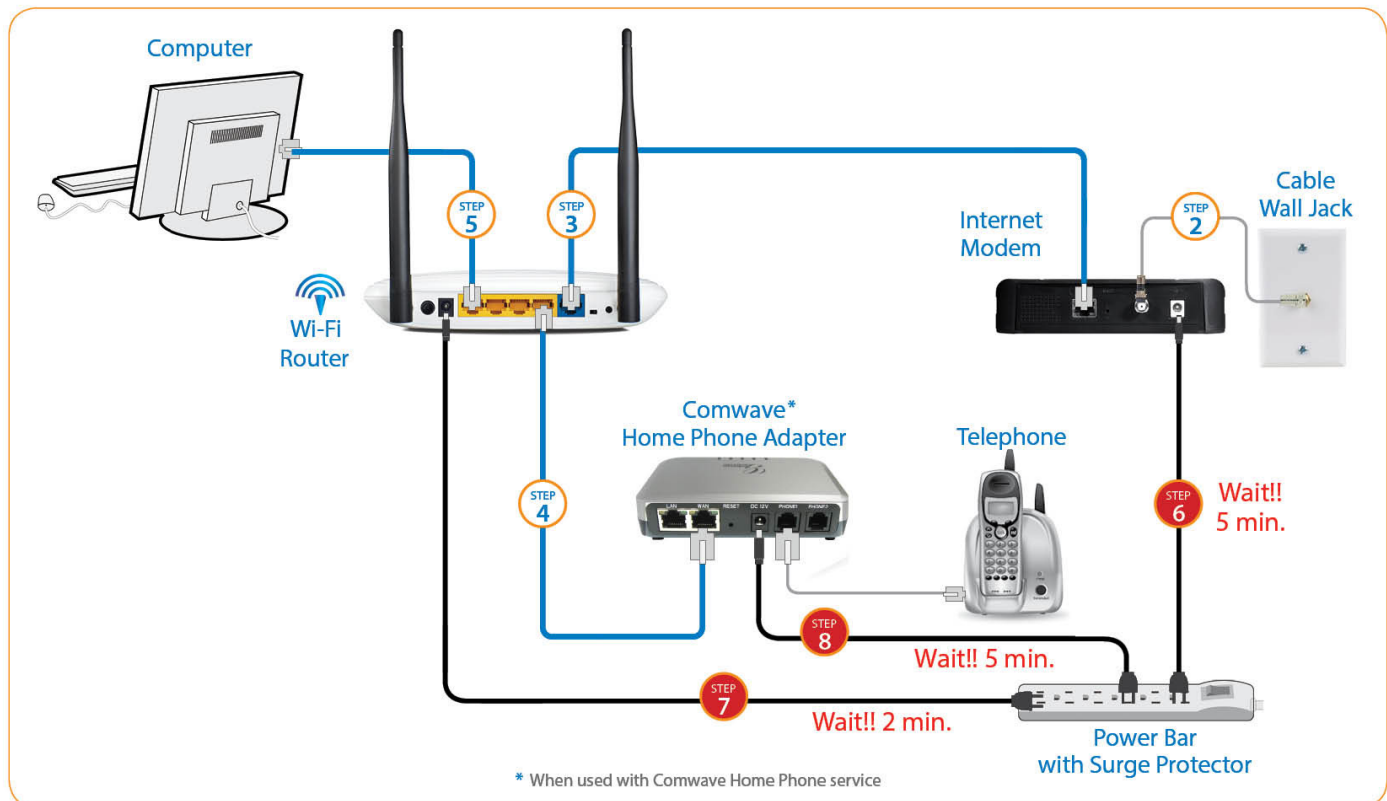


Internet Only Installation

PAGE

5

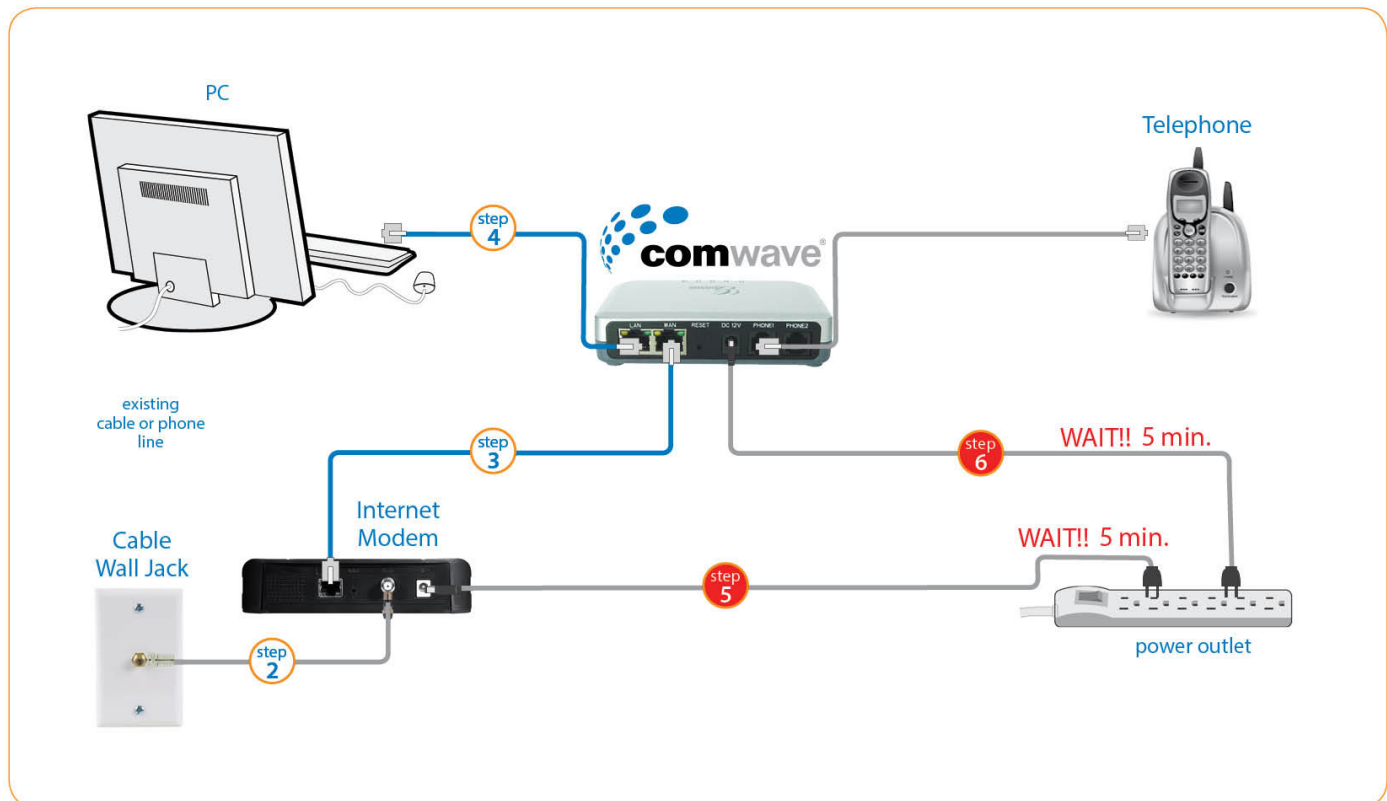
# Installation with Router



Continue to [step 1](#)

- step 1** Shut down your computer.
- step 2** Connect the Cable Modem using a standard cable wire (not supplied) to the Cable Wall Jack.
- step 3** Connect the supplied Ethernet cable from your Internet Modem to the WAN port on your Router.
- step 4** ( For Home Phone) Connect the supplied Ethernet cable from the LAN port of your Router to the WAN port of the Home Phone Adapter.
- step 5** Connect an Ethernet cable from your computer to any available LAN port on your Router.
- step 6** Connect the Internet Modem to the power bar and wait until the **ONLINE** light turns on.
- step 7** Connect the Router to the power bar and wait 2 minutes.
- step 8** ( For Home Phone) Connect a telephone to the **PHONE 1** port on the Home Phone Adapter. Then connect power and wait 5 minutes for dial tone. **DO NOT DISCONNECT POWER** as it may damage the Home Phone Adapter.
- step 9** Start your computer.

# Installation without Router



Continue to [step 1](#)

- [step 1](#) Shut down your computer.
- [step 2](#) Connect the Cable Modem using a standard cable wire (not supplied) to the Cable Wall Jack.
- [step 3](#) Connect the supplied Ethernet cable from your Internet Modem to the WAN of the Home Phone Adapter.
- [step 4](#) Connect the supplied Ethernet from the LAN port of the Home Phone Adapter to your computer.
- [step 5](#) Connect the Internet Modem to the power bar and wait until the **ONLINE** light turns on.
- [step 6](#) Connect a telephone to the **PHONE 1** port on the Home Phone Adapter. Then connect power and wait 5 minutes for dial tone. **DO NOT DISCONNECT POWER** as it may damage the Home Phone Adapter.
- [step 7](#) Start your computer.

## Internet Only Installation

- step 1** Shut down your computer.
- step 2** Connect the Cable Modem using a standard cable wire (not supplied) to the Cable Wall Jack.
- step 3** Connect the supplied Ethernet cable from your Internet Modem to your computer.
- step 4** Connect the Internet Modem to power and wait until the **ONLINE** light turn on.
- step 5** Start your computer.

## Step by step videos

Watch our step by step  
videos at  
[www.comwave.net/videos](http://www.comwave.net/videos)



DCM476

Have more questions?  
Let us help 1-866-210-9149